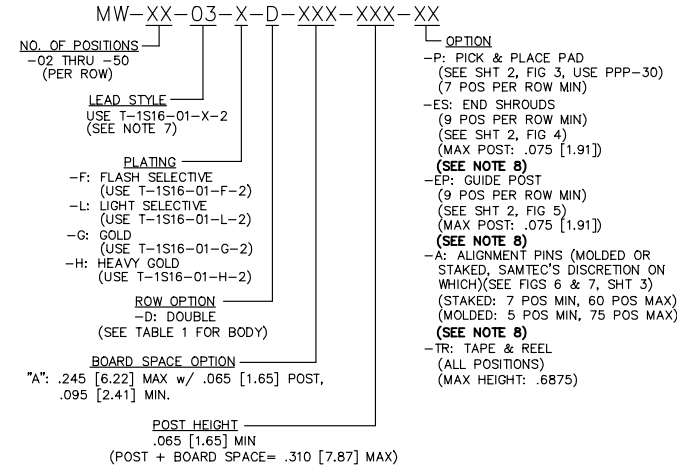
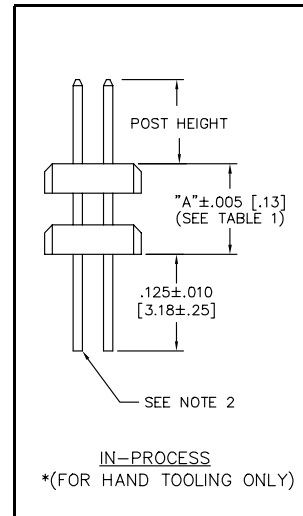
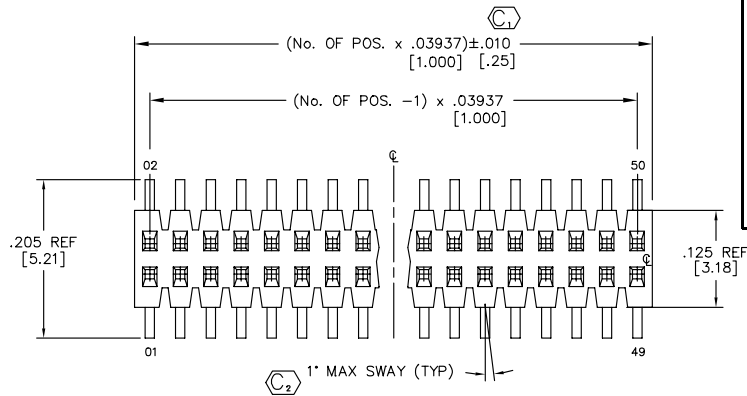


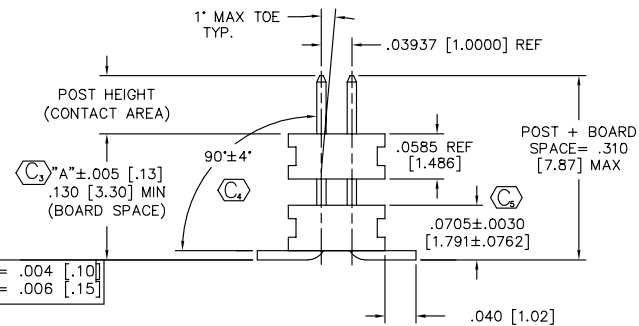
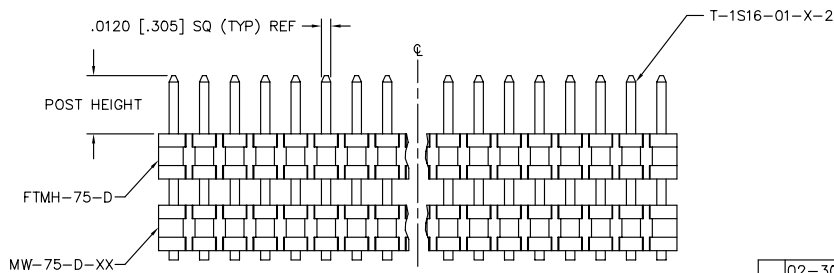
"A" RANGE	BODY STYLE		FIG.
	UPPER	LOWER	
.095 - .129 [2.41 - 3.28]	FTM-50-D	FTM-50-D	2
.130 - .245 [3.30 - 6.22]	FTMH-75-D	MW-75-D	1

SEE NOTES 5 & 6



NOTES:

- PARTS MAY BE CUT TO POSITION; .010 MAX CUT FLASH.
- SHEAR TAILS TO DIMENSION SHOWN; .003 MAX BURR. (FOR HAND TOOLING ONLY)
- Ⓢ REPRESENTS A CRITICAL DIMENSION
- PACKAGE POSITIONS 05 THROUGH 50 IN TUBES; LAYER PACKAGE POSITIONS 02 THROUGH 04. BOTTOM: NATURAL, BOARD SPACE .130-.245. BOARD SPACE .095-.129 WILL HAVE BLACK FTM BODY
- HAND ASSEMBLED PARTS TO BE 2 BLACK BODIES AND MACHINE ASSEMBLED TO BE TOP:BLACK BOTTOM: NATURAL, BOARD SPACE .130-.245. BOARD SPACE .095-.129 WILL HAVE BLACK FTM BODY
- FOR HAND FILL, USE FTMH-75-D FOR LOWER BODY.
- FOR MACHINE FILLED, USE T-1S16-03-X-2.
- AVAILABLE ONLY WITH BOARD SPACE .130 TO .245.



02-30 POS. = .004 [.10]
31-50 POS. = .006 [.15]

FIG. 1

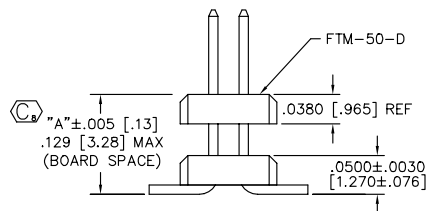


FIG. 2

(DIFFERENT AS SHOWN, OTHERWISE SAME AS FIGURE 1)

PROPRIETARY NOTE
THIS DOCUMENT CONTAINS INFORMATION CONFIDENTIAL AND PROPRIETARY TO SAMTEC AND SHALL NOT BE REPRODUCED OR TRANSMITTED IN ANY FORM OR BY ANY MEANS, ELECTRONIC OR MECHANICAL, INCLUDING PHOTOCOPYING, RECORDING, OR BY ANY INFORMATION STORAGE AND RETRIEVAL SYSTEM, WITHOUT THE WRITTEN CONSENT OF SAMTEC INC.

MATERIAL:
FTM-50-D & FTMH-75-D
LIQUID CRYSTAL POLYMER
COLOR: BLACK
MW-75-D-XX:
LIQUID CRYSTAL POLYMER
COLOR: NATURAL
TERMINAL:
PHOS BRONZE
MAX FLASH ALLOWED:
.002 [.05]
MAX GATE VESTIGE
ALLOWED: .002 [.05]

EXISPROD/ASSEMBLY/1mm MW-ASM

samtec

520 PARK EAST BLVD. NEW ALBANY, INDIANA 47150
PHONE (812) 944-6733 P.O. BOX 1147
CODE 55322

MADE BY: BRATCHER 4-3-95

MW-XX-03-X-D-XXX-XXX-XX
SHEET 1 OF 3